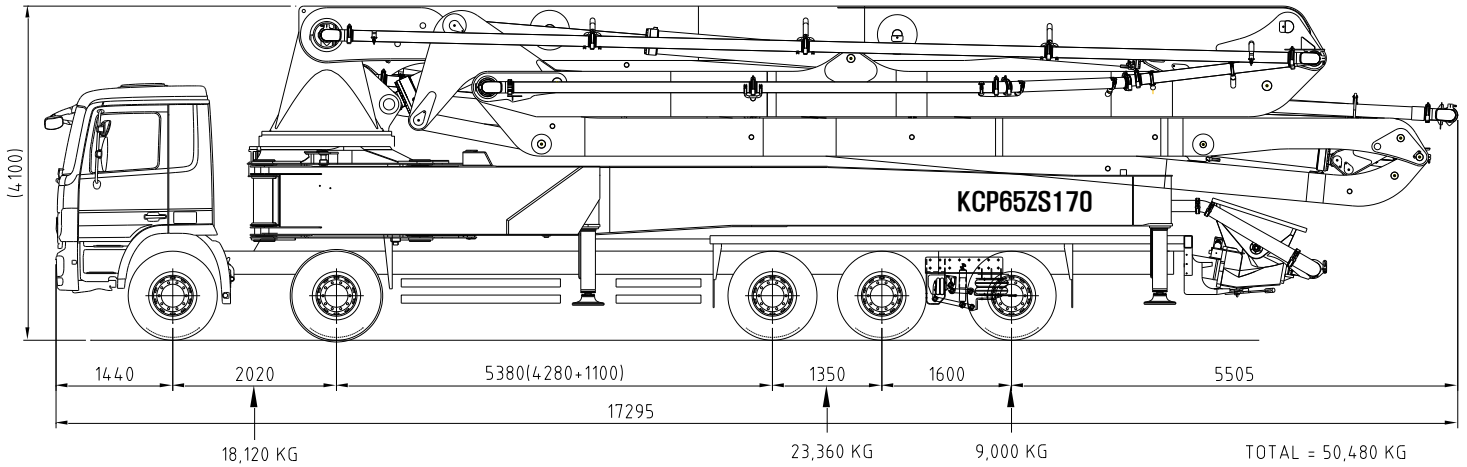


Our Pride ...

KCP65ZS170

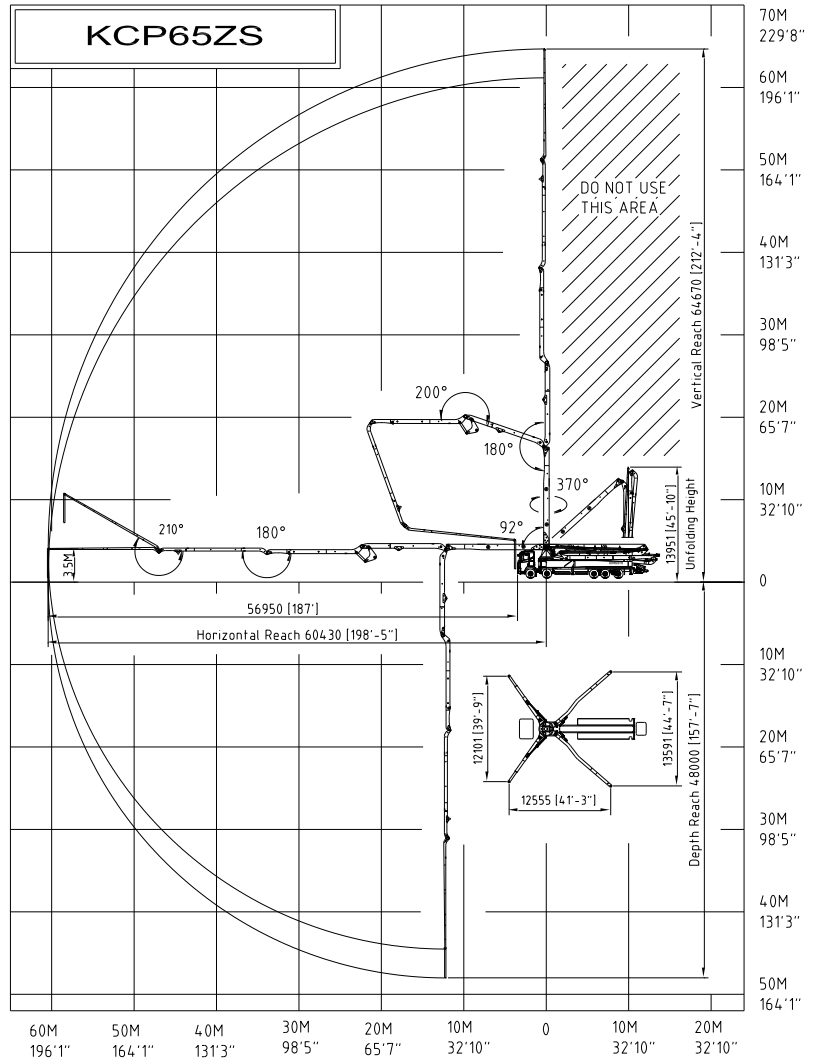


▣ Boom specifications

Vertical reach	64.67M
Horizontal reach	60.43M
Reach from front of truck	56.95M
Unfolding height	14 M
Section articulation	92°/180°/200°/180°/210°
Rotation	370°
Delivery line	125 mm
Proportional boom	Yes
End hose length	3.5M
Outrigger spread-front	12.1 M
Outrigger spread-rear	13.6 M
Max.outrigger weight	65,000kg

- ⊙ Truck specifications : Mercedes benz4141 E4
- ⊙ Maximum theoretical values listed.
- ⊙ Photos and drawings are for illustrative purpose only
- ⊙ Right to make technical amendments reserved

▣ Working diagram



▣ Pump specifications

Maximum output	170 m³/h
Concrete cylinder	Ø230×2100
Stroke per minute	32
Concrete pressure	87.5 bar
Hopper capacity	0.6 m³
S-tube	Ø200×Ø180
Hydraulic pump	Rexroth A20VLO190
Cycling system	Hydraulic with manual overrides
Max. aggregate size	40 mm