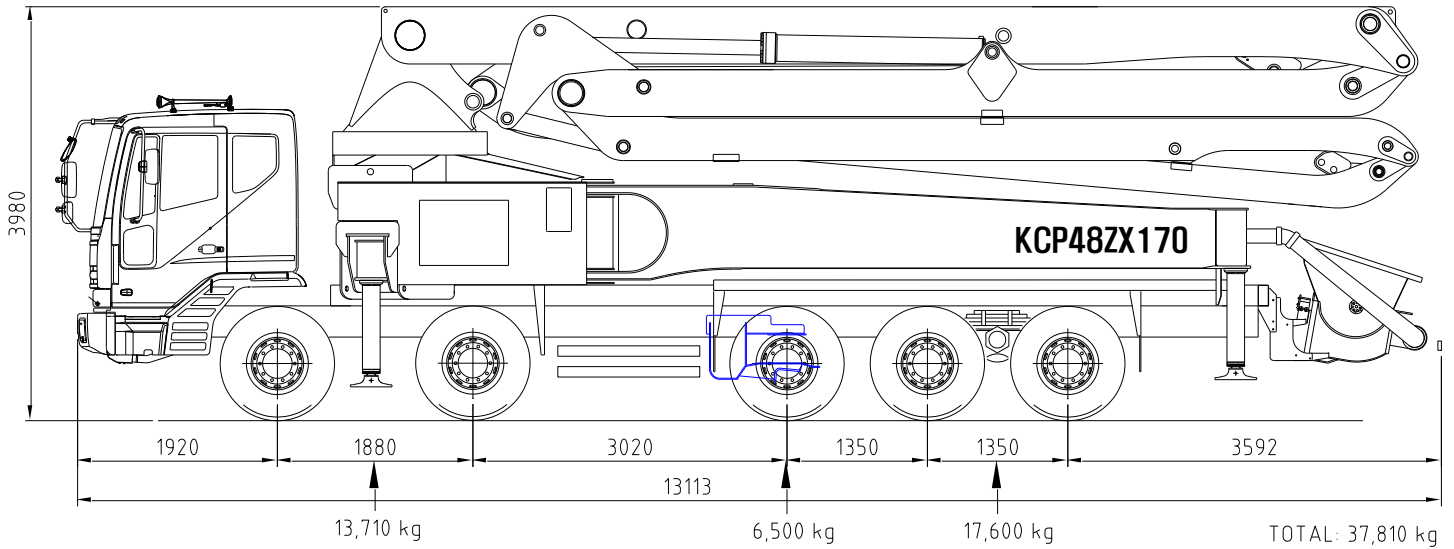


Our Pride ...

KCP48ZX170

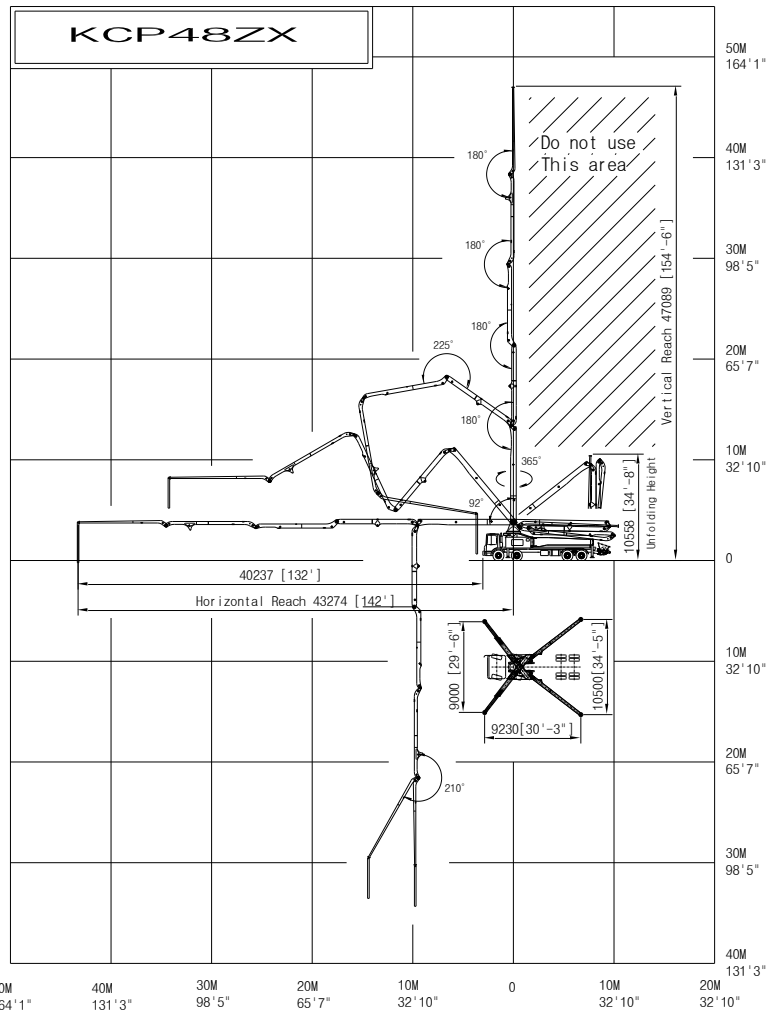


Boom specifications

Vertical reach	47.1M
Horizontal reach	43.3M
Reach from front of truck	40.2M
Unfolding height	10.6M
Section articulation	92°/180°/225°/180°/210°
Rotation	370°
Delivery line	125 mm
Proportional boom	Yes
End hose length	4M
Outrigger spread-front	9 M
Outrigger spread-rear	10.5 M
Max.outrigger weight	33,500kg

- ⊙ Truck specifications : DAEWOO-M9CSF19TON (420PS,EURO3)
- ⊙ Maximum theoretical values listed.
- ⊙ Photos and drawings are for illustrative purpose only
- ⊙ Right to make technical amendments reserved

Working diagram



Pump specifications

Maximum output	170 m³/h
Concrete cylinder	Ø230×2100
Stroke per minute	32
Concrete pressure	87.5 bar
Hopper capacity	0.6 m³
S-tube	Ø200×Ø180
Hydraulic pump	KCP - K3V180DT
Cycling system	Hydraulic with manual overrides
Max. aggregate size	40 mm