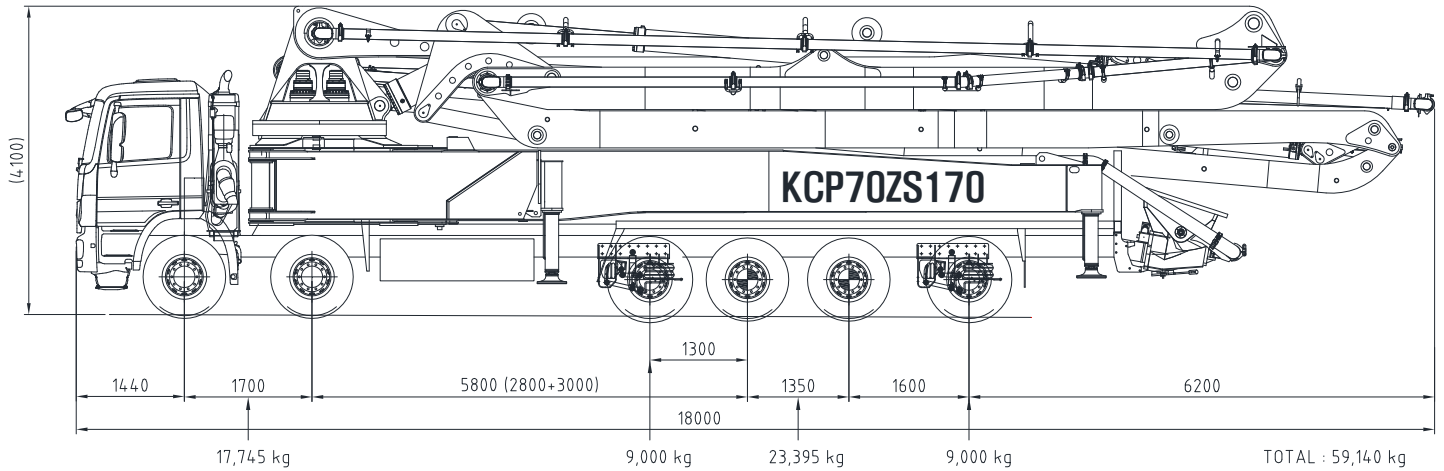


Our Pride ...

KCP70ZS170

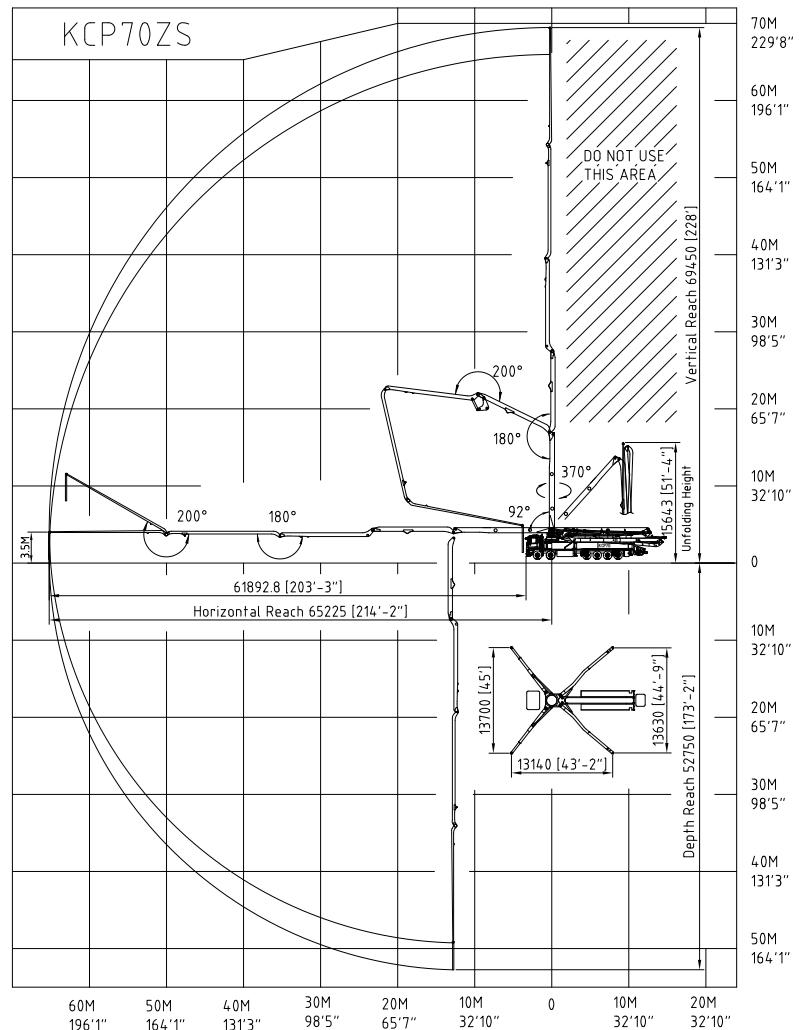


□ Boom specifications

Vertical reach	69.45M
Horizontal reach	65.22M
Reach from front of truck	61.90M
Unfolding height	15.6 M
Section articulation	92°/180°/200°/180°/200°
Rotation	370°
Delivery line	125 mm
Proportional boom	Yes
End hose length	3.5M
Outrigger spread-front	13.7 M
Outrigger spread-rear	13.63 M
Max.outrigger weight	55,000kg

- ⊙ Truck specifications : Mercedes BENZ-4151 E4
- ⊙ Maximum theoretical values listed.
- ⊙ Photos and drawings are for illustrative purpose only
- ⊙ Right to make technical amendments reserved

□ Working diagram



□ Pump specifications

Maximum output	175 m³/h
Concrete cylinder	Ø230×2100
Stroke per minute	33
Concrete pressure	87 bar
Hopper capacity	0.6 m³
S-tube	Ø200×Ø180
Hydraulic pump	Rexroth A20VLO190
Cycling system	Hydraulic with manual overrides
Max. aggregate size	40 mm