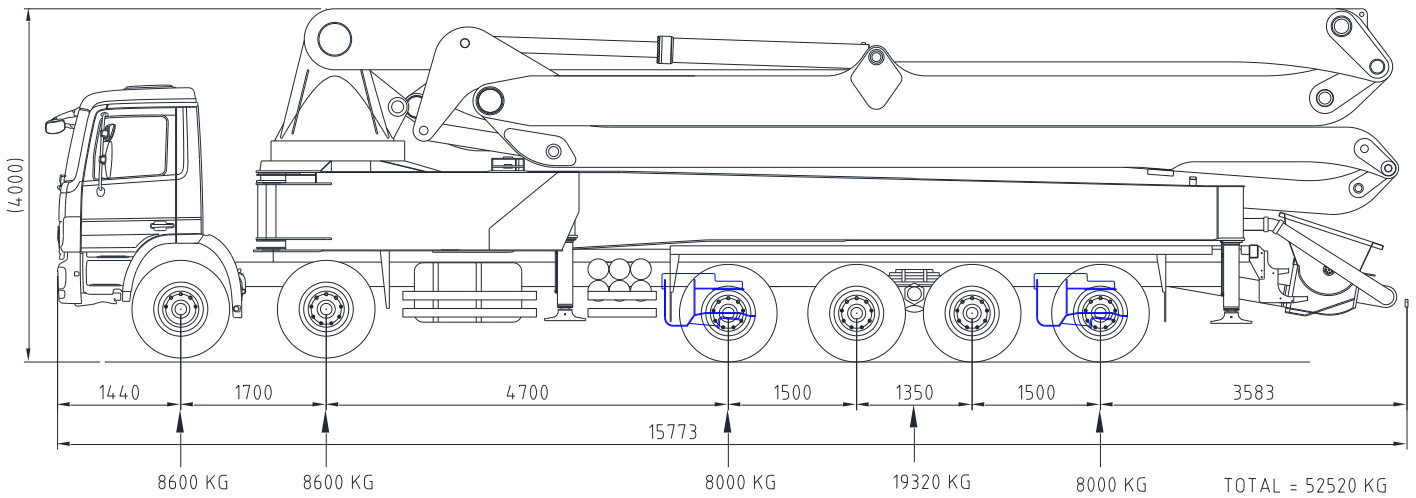


*Our Pride ...*

# KCP60ZS170

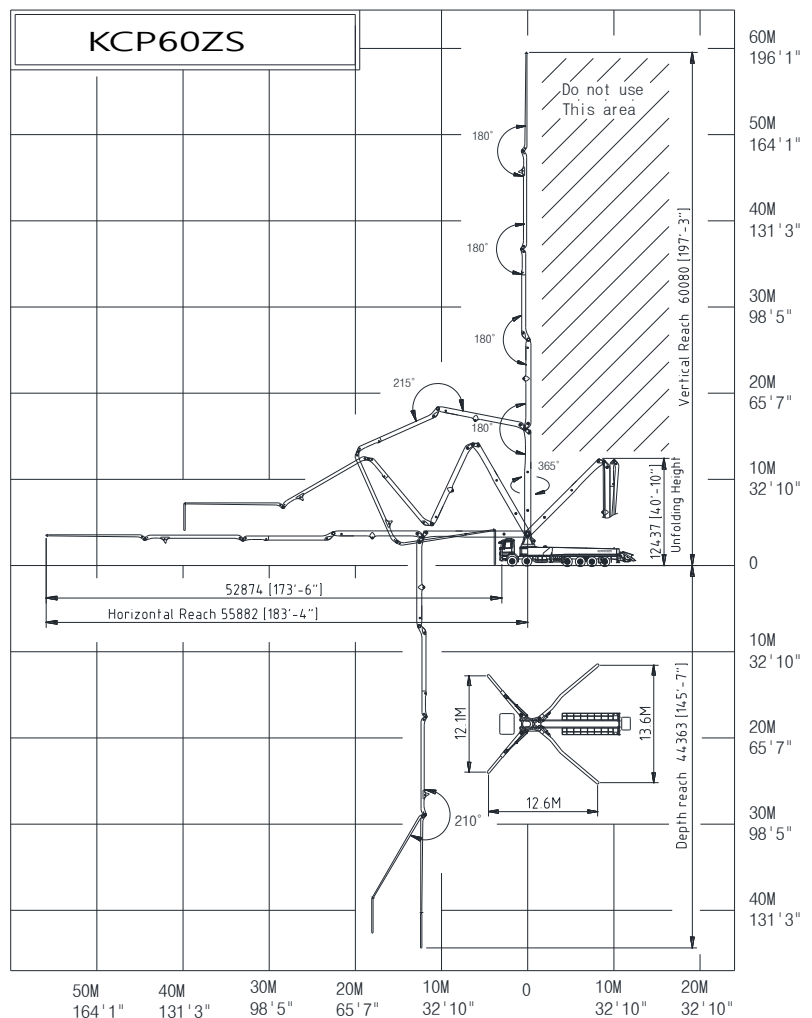


## ▣ Boom specifications

Vertical reach	60.1M
Horizontal reach	55.9M
Reach from front of truck	52.9M
Unfolding height	12.4M
Section articulation	92°/180°/215°/180°/210°
Rotation	370°
Delivery line	125 mm
Proportional boom	Yes
End hose length	3.5M
Outrigger spread-front	12.1 M
Outrigger spread-rear	13.6 M
Max.outrigger weight	45,000kg

- ⊙ Truck specifications : MERCEDES BENZ- 4141
- ⊙ Maximum theoretical values listed.
- ⊙ Photos and drawings are for illustrative purpose only
- ⊙ Right to make technical amendments reserved

## ▣ Working diagram



## ▣ Pump specifications

Maximum output	170 m³/h
Concrete cylinder	Ø230×2100
Stroke per minute	32
Concrete pressure	87.5 bar
Hopper capacity	0.6 m³
S-tube	Ø220×Ø180
Hydraulic pump	Rexroth A20VLO190
Cycling system	Hydraulic with manual overrides
Max. aggregate size	40 mm